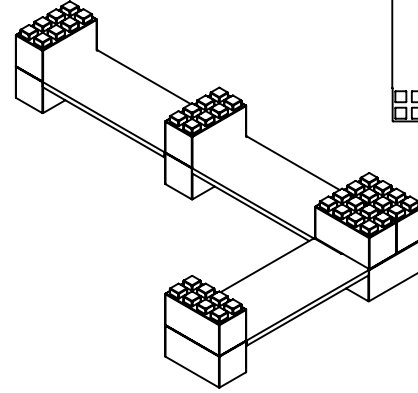
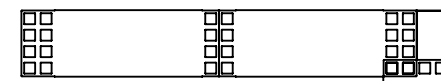


X5

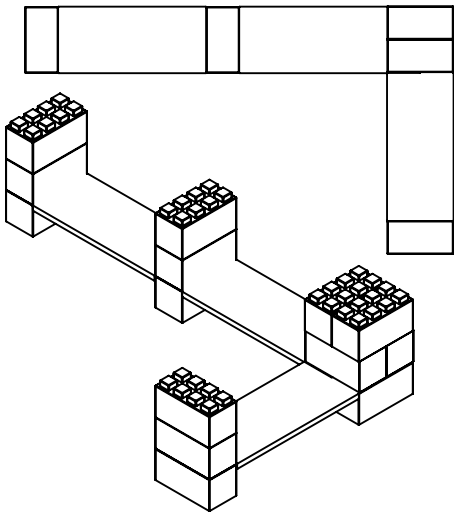


X2

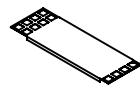
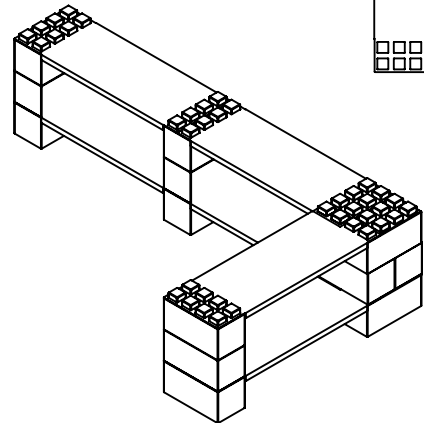
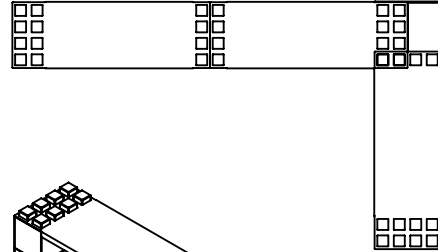


X5

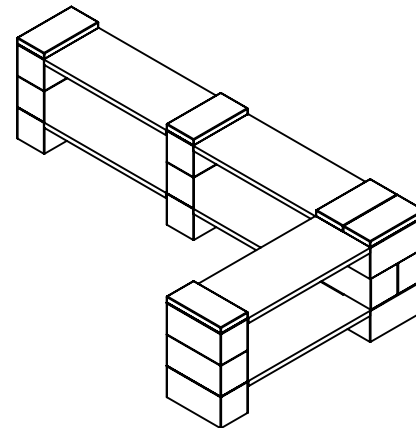
| ITEM NO. | PART NUMBER | DESCRIPTION | QTY. |
|----------|----------------------|---------------------|------|
| 1 | FO230FDF6207-2x4 | Full Block | 15 |
| 2 | FO85D158D815-Shelf | Half Shelf Unit 36" | 6 |
| 3 | FO323173E423-2x4 cap | Cap Block 6x12" | 5 |



X5



X3



X5