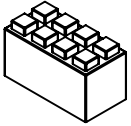
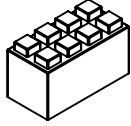
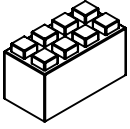
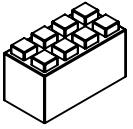
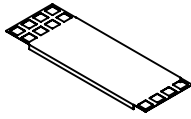
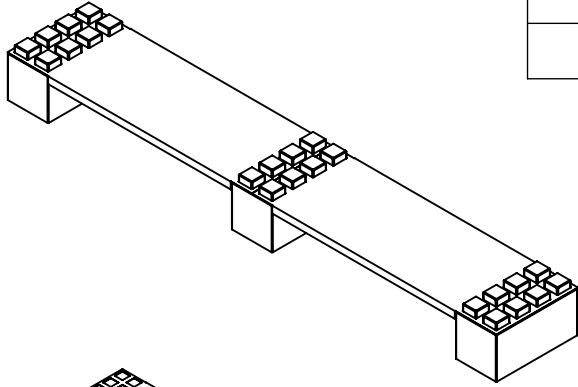


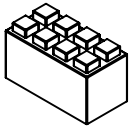
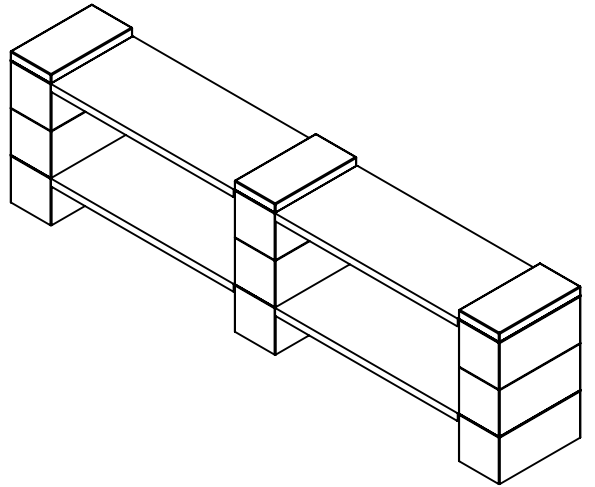
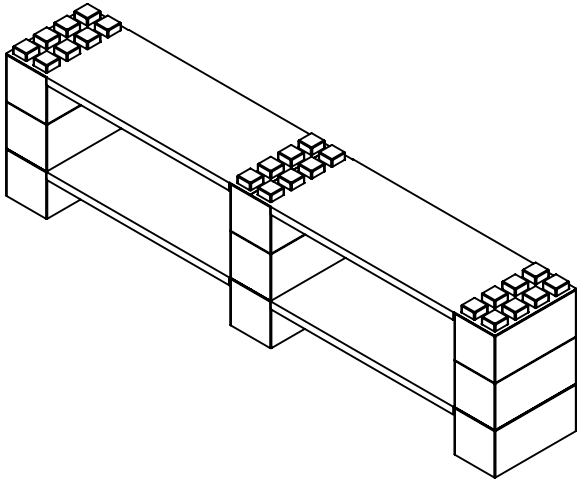
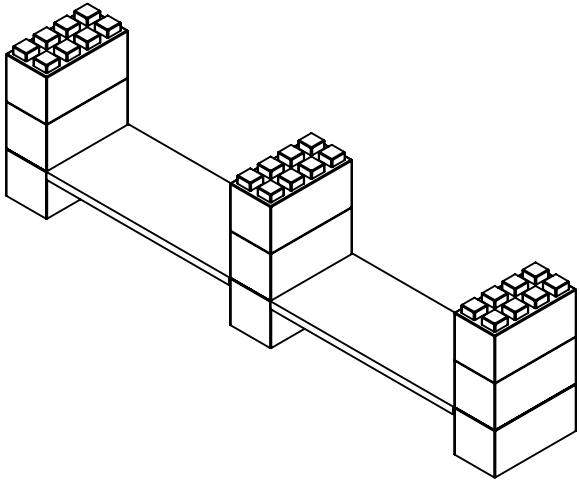
ITEM NO.	DESCRIPTION	QTY.
1	Half Shelf Unit 36"	4
2	Full Block	9
3	Cap Block 6x12"	3



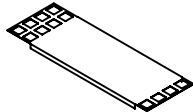
X3



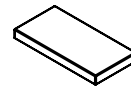
X2



X6



X2



X3